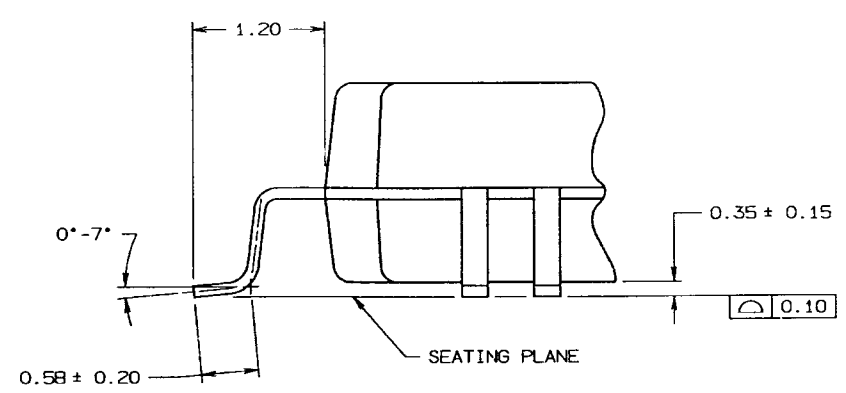
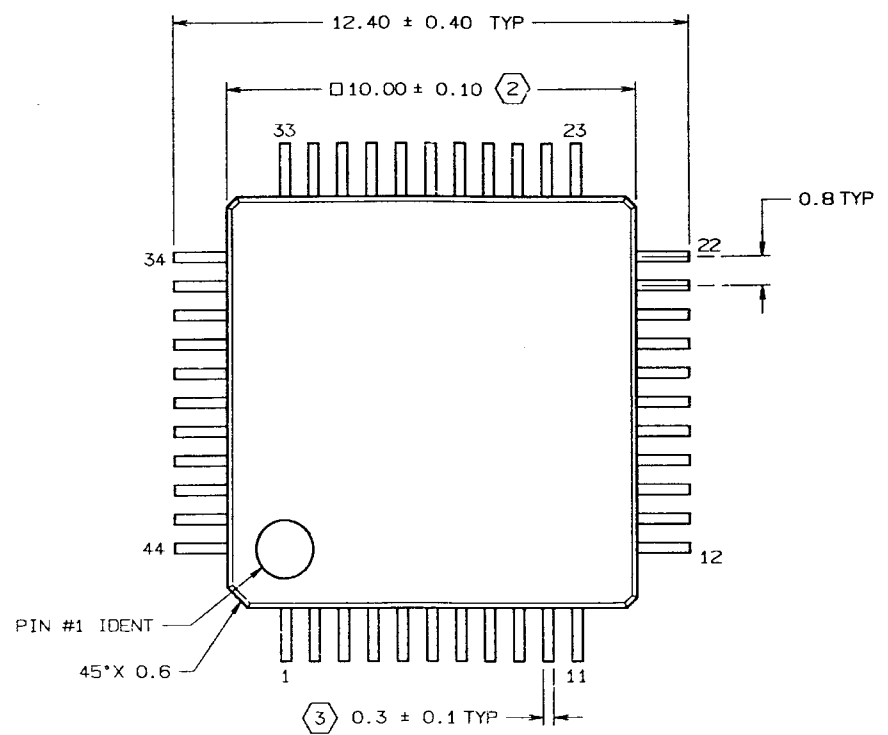
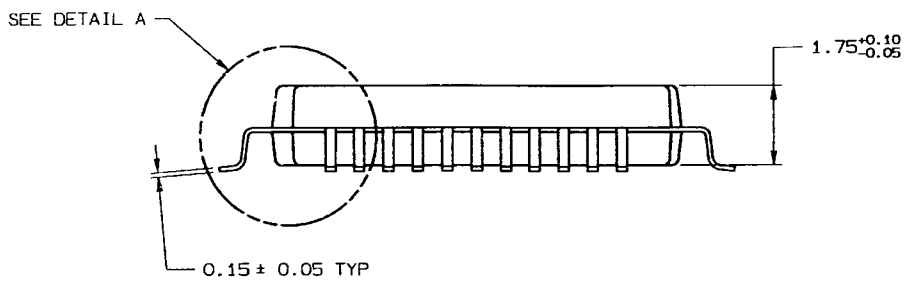


REVISIONS				
LTR	DESCRIPTION	E.C.N.	DATE	BY/APP'D
A	RELEASE TO DOCUMENT CONTROL	09077	04/01/92	MS/H.S.



DETAIL A
TYPICAL



NOTES: UNLESS OTHERWISE SPECIFIED

- STANDARD LEAD FINISH:
5.08 MICROMETERS MINIMUM SOLDER PLATING (80/20)
THICKNESS ON ALLOY 42 / COPPER.
- DIMENSION DOES NOT INCLUDE MOLD PROTRUSION.
MAXIMUM ALLOWABLE MOLD PROTRUSION 0.25 mm PER SIDE.
- DIMENSION DOES NOT INCLUDE DAMBAR PROTRUSION.
ALLOWABLE DAMBAR PROTRUSION SHALL BE 0.15.

DIMENSIONS ARE IN MILLIMETERS			
APPROVALS	DATE	NATIONAL SEMICONDUCTOR CORPORATION	
DRAWN MARTA SUCHY	04/01/92	2900 Semiconductor Drive, Santa Clara, CA 95052-8030	
DFTG. CHK. [Signature]	4/07/92	PLASTIC QUAD FLATPACK, (S), 10 X 10 mm 44 LEAD	
ENGR. CHK. [Signature]	4/07/92		
APPROVAL		SCALE N/A	REV A
DO NOT SCALE DRAWING		SIZE C	DRAWING NUMBER MKT-VEF44A
		SHEET 1	OF 1