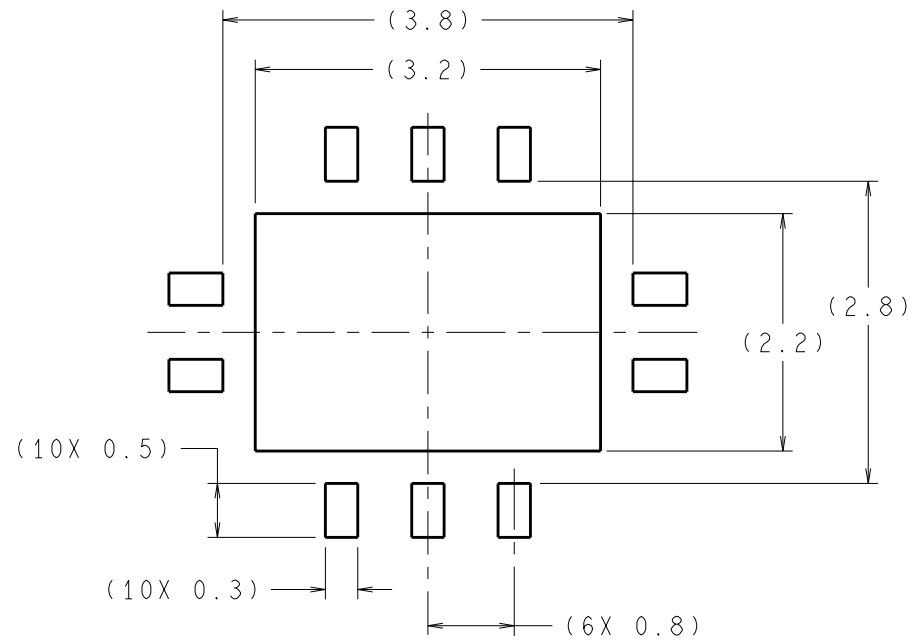
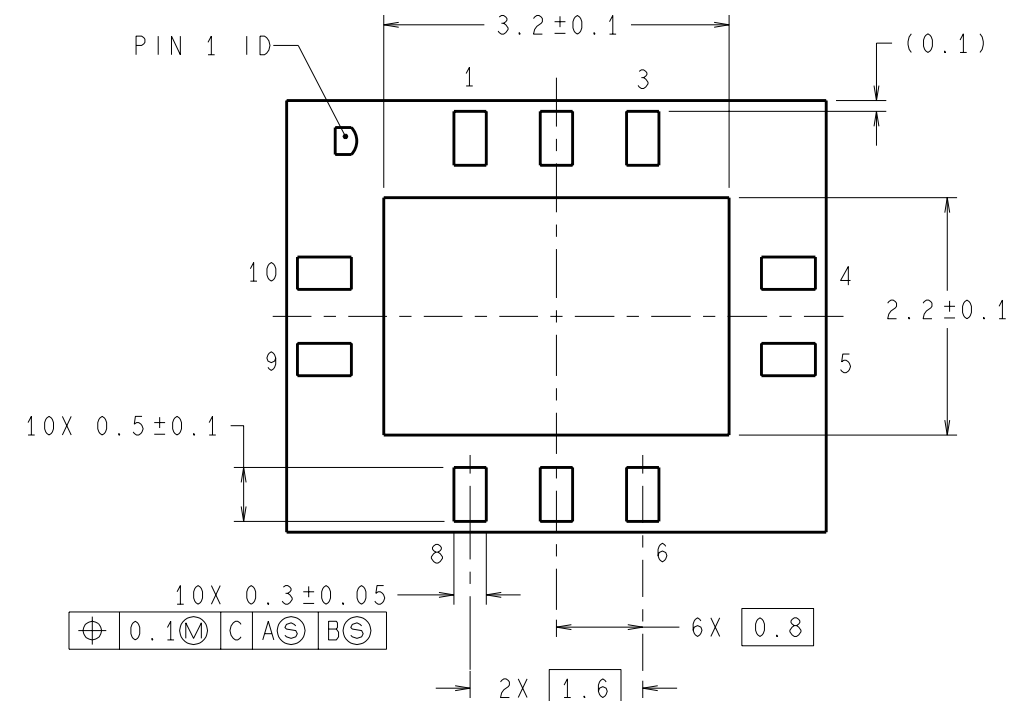
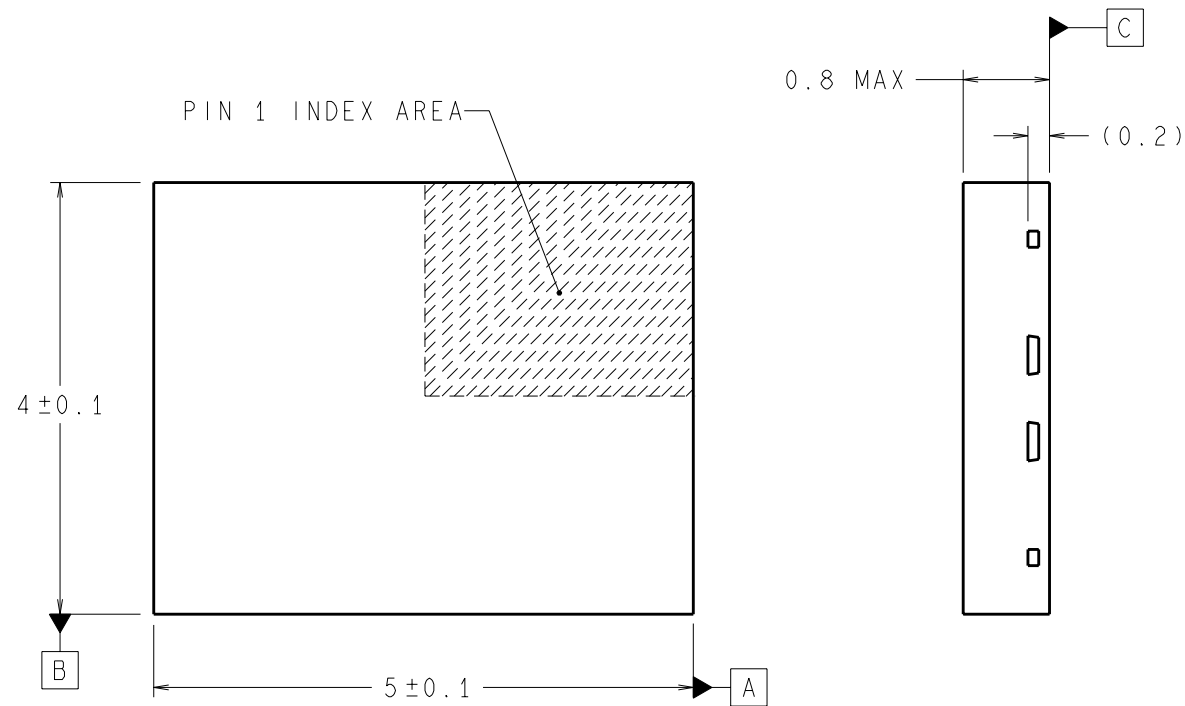


REVISIONS				
LTR	DESCRIPTION	E.C.N.	DATE	BY/APP'D
A	RELEASE TO DOCUMENT CONTROL	12513	11/08/2000	SN/TL/



RECOMMENDED LAND PATTERN
1:1 RATIO WITH PKG SOLDER PADS

DIMENSIONS ARE IN MILLIMETERS



NOTES: UNLESS OTHERWISE SPECIFIED

- STANDARD LEAD FINISH TO BE 5.08 MICROMETERS MINIMUM LEAD/TIN (SOLDER) ON COPPER.
- NO JEDEC REGISTRATION AS OF NOVEMBER 2000.

APPROVALS	DATE	National Semiconductor			
DRAWN N. SANTHIRAN	11/08/2000	2900 Semiconductor Dr., Santa Clara, CA 95052-8090			
DFTG. CHK. THANH LEQUANG	11/08/2000	LLP, PLASTIC, QUAD, 5 X 4 X 0.75 mm BODY, 10 LD, 0.8 mm PITCH			
ENGR. CHK. ANTHONY LAW	11/08/2000				
		SCALE N/A	SIZE C	DRAWING NUMBER (SC)MKT-LQC10A	REV A
		FORMERLY: N/A		SHEET 1 of 1	