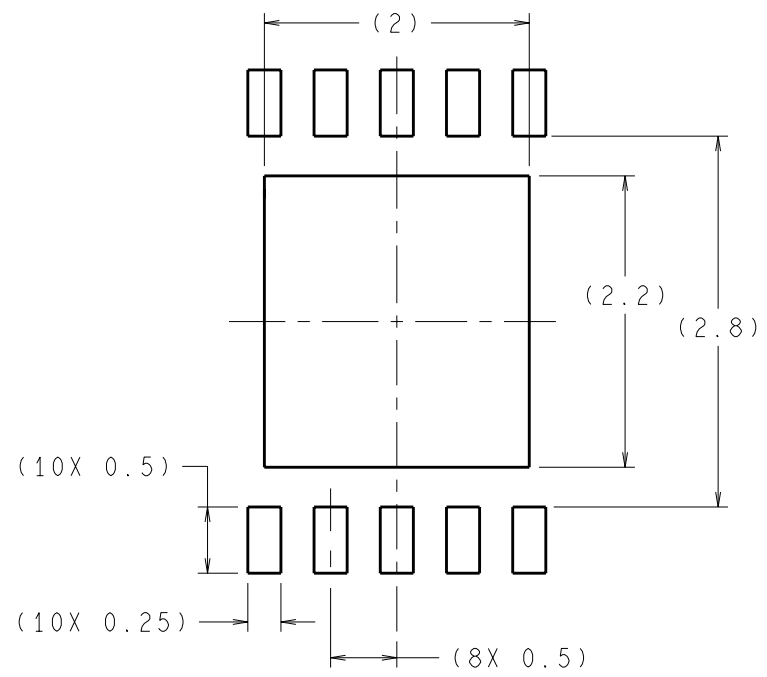
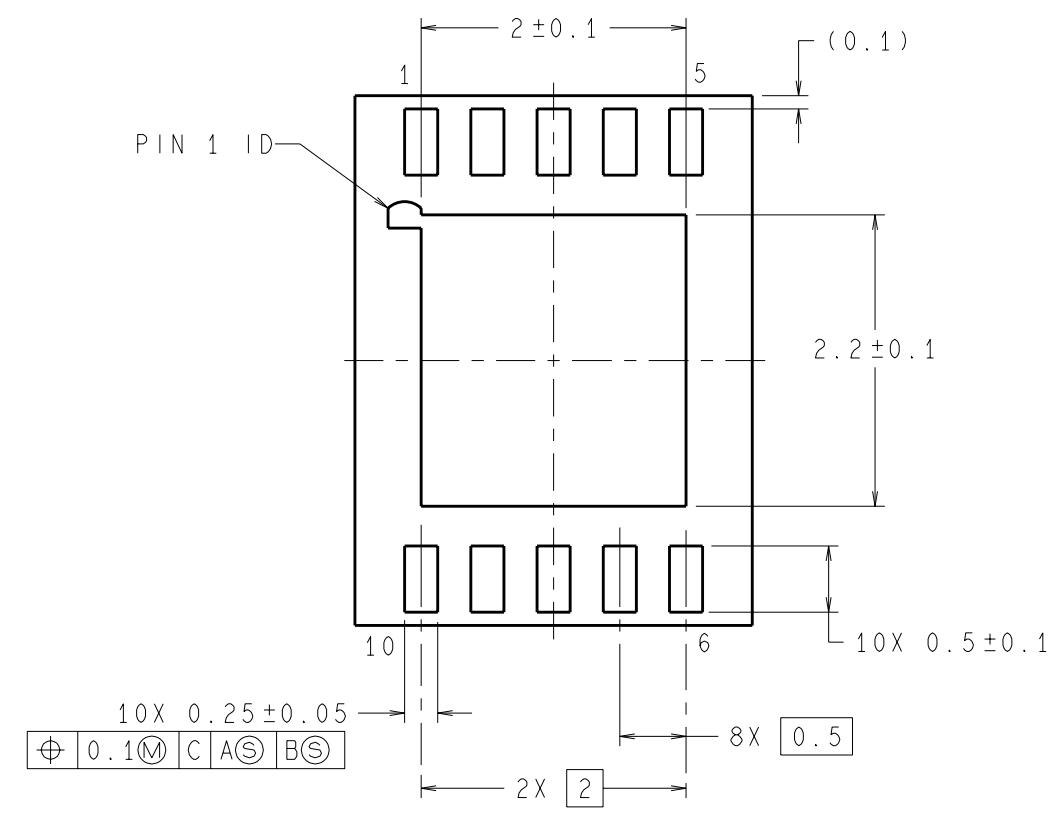
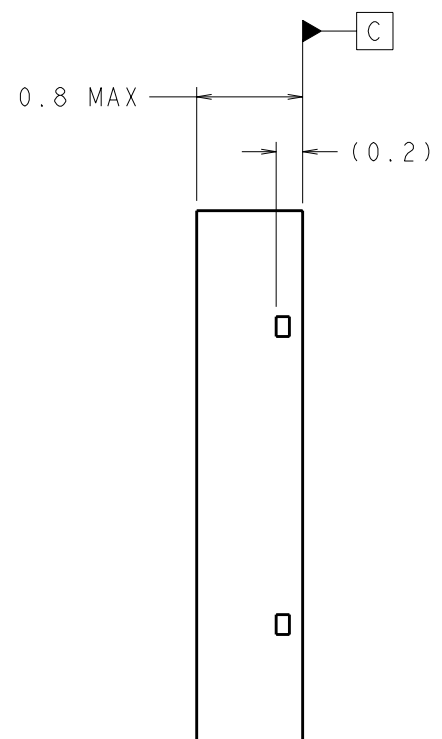
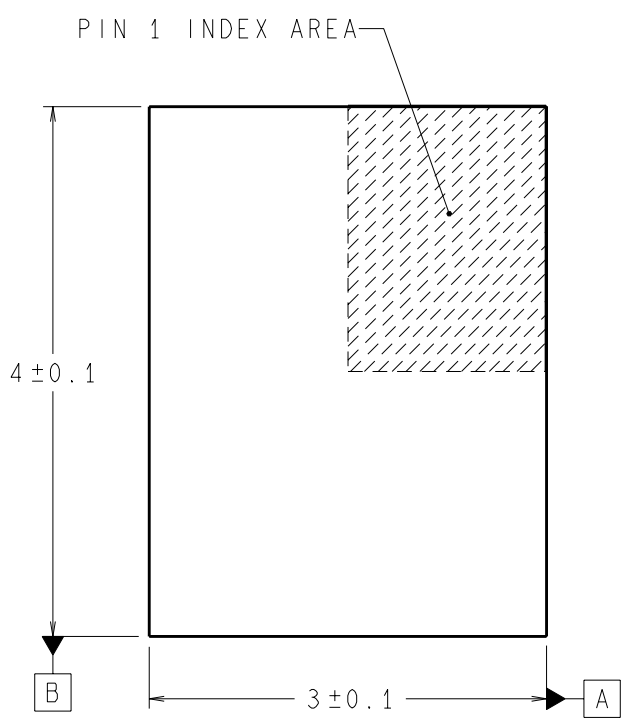


REVISIONS				
LTR	DESCRIPTION	E.C.N.	DATE	BY/APP'D
A	RELEASE TO DOCUMENT CONTROL	12529	12/06/2000	SN/TL/AL



DIMENSIONS ARE IN MILLIMETERS

RECOMMENDED LAND PATTERN
1:1 RATIO WITH PKG SOLDER PADS



- NOTES: UNLESS OTHERWISE SPECIFIED.
- STANDARD LEAD FINISH TO BE 5.08 MICROMETERS MINIMUM LEAD/TIN (SOLDER) ON COPPER.
 - NO JEDEC REGISTRATION AS OF DECEMBER 2000.

APPROVALS		DATE	National Semiconductor				
DRAWN	N. SANTHIRAN & TL	12/06/2000	2900 Semiconductor Dr., Santa Clara, CA 95052-8090				
DFTG. CHK.	THANH LEQUANG	12/06/2000	LLP, PLASTIC, DUAL, 3 X 4 X 0.75 mm BODY, 10 LD, 0.5 mm PITCH				
ENGR. CHK.	ANTHONY LAW	12/06/2000					
SCALE	N/A	SIZE	C	DRAWING NUMBER	(SC)MKT-LDA10B	REV	A
FORMERLY: N/A		SHEET 1 of 1					

